



Handling System for Dishwasher Short roller conveyors with deep basin

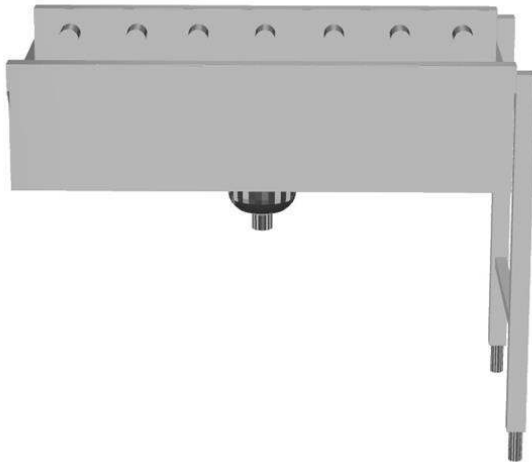
ITEM # _____

MODEL # _____

NAME # _____

SIS # _____

AIA # _____



863065 - 863066 - 863067 - 863068 - 863069 - 863070 -
865210 - 865211 - 865212

Short Form Specification

Item No. _____

Constructed in 304 AISI stainless steel. Basin with sloping bottom, drain, waste strainer and bucket.

Short rollers in plastic on the top of the basin. Square 40x40mm square legs with height-adjustable feet. Designed for 500x500mm dishwashing baskets. Knock-down delivery.

Main Features

- Suitable to install either a single unit with dishwasher or combined with other tables.
- The table is suitable for both rack type and hood type dishwasher. Rack type dishwasher can be connected directly to the table, while there are optional accessories to adapt the table with hood type dishwasher.
- Conveyors supplied as knockdown and easy to assemble.
- "Key holes" and "snap on" system reduces the number of screws needed for fast and easy installation.
- Designed to transport 500x500 mm dishwashing baskets.
- Another rack conveyor or a dishwasher can be connected on the left or the right.
- "Snap on" system reduces the number of screws needed.
- Smooth manual rack movement on short rollers.

Construction

- Two legs included.
- Stainless steel feet 50 mm adjustable in height to align the operation height between the dishwasher and table.
- Thick welded flanges for sturdy connection between the units.
- All surfaces smooth with polished finish.
- AISI 304 1,2mm stainless steel basin.
- Self-bearing undershelf eliminates the need for additional frames.
- Sloping bottom of the table grants a smooth and rapid drainage.
- 40x40mm stainless steel tubular and square legs.
- Stainless steel strainer to collect the food waste, then easy to remove for clean.
- Stainless steel waste bucket included.

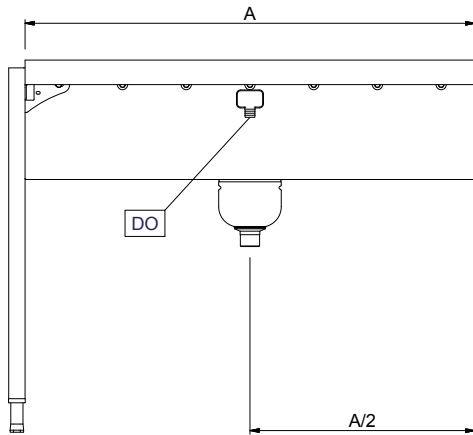
Sustainability

- The table can be used in loading side.
- The short roller conveyor with deep basin is available from 800mm up to 1100mm with 100mm-step length



APPROVAL: _____

Front


Key Information:
External dimensions, Width:

863065 (HSSRDB9)	900 mm
863066 (HSSRDB10)	1000 mm
863067 (HSSRDB12)	1200 mm
863068 (HSSRDB13)	1300 mm
863069 (HSSRDB14)	1400 mm
863070 (HSSRDB15)	1500 mm
865210 (HSSRDB8)	800 mm
865211 (HSSRDB11)	1100 mm
865212 (HSSRDB16)	1600 mm

External dimensions, Depth:

620 mm

External dimensions, Height:

910 mm

Net weight:

863065 (HSSRDB9)	19 kg
863066 (HSSRDB10)	21 kg
863067 (HSSRDB12)	23 kg
863068 (HSSRDB13)	25 kg
863069 (HSSRDB14)	26 kg
863070 (HSSRDB15)	27 kg
865210 (HSSRDB8)	18 kg
865211 (HSSRDB11)	22 kg
865212 (HSSRDB16)	29 kg

Height adjustment:

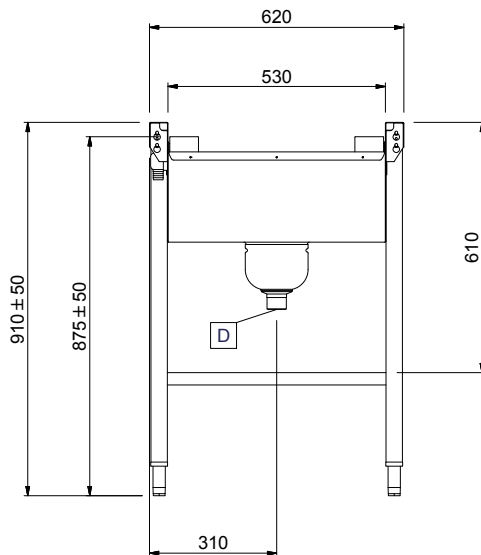
50/50 mm

Stainless Steel AISI 304 - EN

1.4301

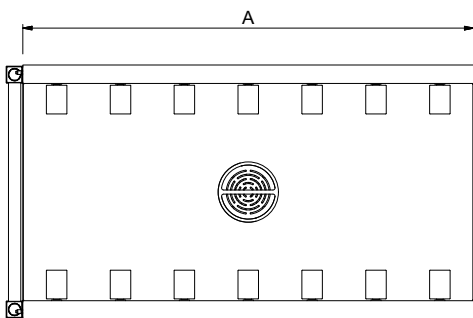
Type of rollers: Short

Side



D = Drain

Top





	863065	863066	863067	863068	863069	863070	865210	865211	865212
863077 - Plain undershelf for roller conveyor, 1200 mm			✓	✓	✓	✓			✓
863078 - Plain undershelf for roller conveyor, 1300 mm				✓	✓	✓			✓
863079 - Plain undershelf for roller conveyor, 1400 mm					✓	✓			✓
863080 - Plain undershelf for roller conveyor, 1500 mm						✓			✓
863103 - Grid undershelf, 1200 mm			✓	✓	✓	✓			✓
863104 - Grid undershelf, 1300 mm				✓	✓	✓			✓
863105 - Grid undershelf, 1400 mm					✓	✓			✓
863106 - Grid undershelf, 1500 mm						✓			✓
865162 - Emergency stop kit for Rack Type Dishwasher (not for Basic handling system)	✓	✓	✓	✓	✓	✓	✓	✓	✓
865163 - Connection plate (short) for left side to connect handling system to hood type	✓	✓	✓	✓	✓	✓	✓	✓	✓
865164 - Connection plate (long) for front and right side to connect handling system to hood type	✓	✓	✓	✓	✓	✓	✓	✓	✓
865217 - End plate for conveyor table	✓	✓	✓	✓	✓	✓	✓	✓	✓
865219 - Plain undershelf for roller conveyor, 600 mm	✓	✓	✓	✓	✓	✓	✓	✓	✓
865220 - Plain undershelf for roller conveyor, 1100 mm			✓	✓	✓	✓		✓	✓
865221 - Plain undershelf for roller conveyor, 1600 mm									✓
865230 - Shut-off valve (suitable for the basin conveyor to close drain)	✓	✓	✓	✓	✓	✓	✓	✓	✓
865234 - Connection bracket for plain undershelf and grid undershelf (to be used if roller conveyor is connected directly to Rack Type Dishwasher)	✓	✓	✓	✓	✓	✓	✓	✓	✓
865235 - Connection bracket for plain undershelf and grid undershelf (to be used if roller conveyor is connected directly to Rack Type Dishwasher with splash hood)	✓	✓	✓	✓	✓	✓	✓	✓	✓
865236 - Grid undershelf, 600 mm	✓	✓	✓	✓	✓	✓	✓	✓	✓
865237 - Grid undershelf, 1100 mm			✓	✓	✓	✓		✓	✓
865238 - Grid undershelf, 1600 mm									✓
865253 - Inclined extension table for roller conveyor	✓	✓	✓	✓	✓	✓	✓	✓	✓
865452 - Plain undershelf for roller conveyor, 800 mm	✓	✓	✓	✓	✓	✓	✓	✓	✓
865453 - Grid undershelf, 800 mm	✓	✓	✓	✓	✓	✓	✓	✓	✓

Optional Accessories

